



**KD-6706**

**B. Arch. III (Sem. - V) Examination**

**December - 2012**

**Estimation, Costing & Specification (ARC-506)**

Time : 2 Hours]

[Total Marks : 50

**Instructions :**

(1)

नीचे दशांशवैध निशानीवाणी विगतो उत्तरवही पर अवश्य लिखनी.  
Fillup strictly the details of signs on your answer book.

Name of the Examination :  
B. Arch. - III (Sem. - V)

Name of the Subject :  
Estimation, Costing & Specification (ARC-506)

Subject Code No. : 6 7 0 6 Section No. (1, 2,.....): Nil

Seat No. :

Student's Signature

- (2) Use of calculators is permitte.  
(3) Figures to right indicate full marks.  
(4) Assume suitable data if required and specifically mention them.  
(5) Use on nonprogrammable scientific calculator is permitted.

**Q.1 Attempt the Following (ANY FIVE) (10)**

1. Write different types (categories) of drawings prepared by an Architect starting form client brief of a project to handing over of the project.
2. What is Overhead Cost explain with an example.
3. Explain Tender fees, Earnest Money Deposit, Security Deposit and Retention Money.
4. What are various methods of approximate estimation? Explain any one in brief.
5. Write brief description for BOQ of the following items: Structural Steel work, 20 mm Thick external plaster in two coats
6. Draw format for the following: Rate Analysis sheet, Bar bending Schedule

**Q.2 Attempt following for Figure shown Below. (20)**

- 1) Draw Foundation Plan
- 2) Find Quantity for Excavation and PCC for foundation
- 3) Find quantity of Brick work in Foundation
- 4) Find Quantity of Flooring and internal plaster

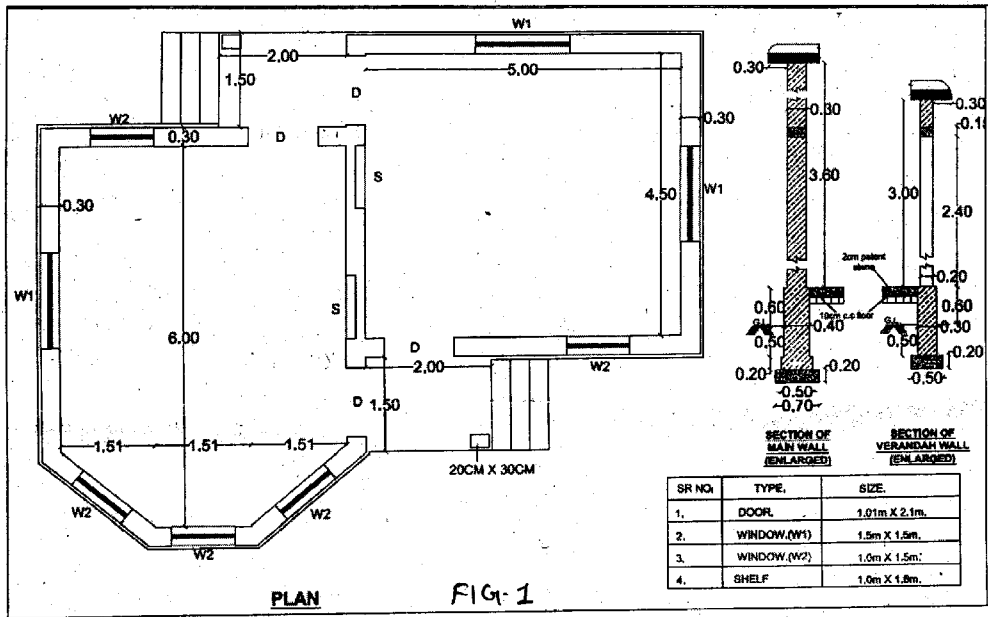


FIG-1

OR

2 Find out following quantities for Figure No. 2 as given.

(20)

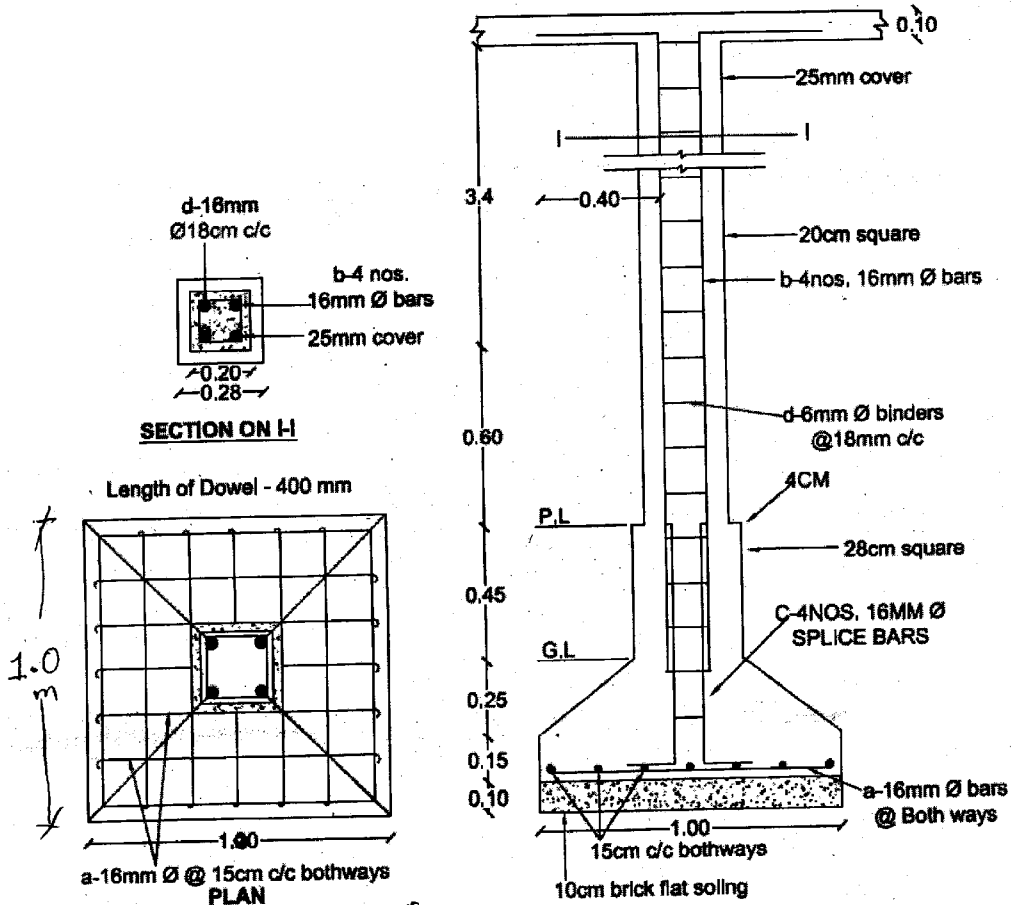


FIG-2

**3 Find Item Rate for the following (Any TWO) Considering rate of material as per S. O. R. 2012-13 for various materials. (12)**

1. Item of 12 mm thick internal smooth plaster
2. Item of 230mm thick brick wall having first class bricks with C. M. 1:4
3. Providing and laying cement concrete in 1:3:6 proportion including compaction, finishing top surface to the proper level, curing all complete, in foundations, plinth, sub base of floors as per specifications and directions as per Engineer-in-charge.

**4 Write detailed specifications for the following (Any TWO) (08)**

1. Earthwork for excavation up to 1.5 Mt Depth including selected soil filling
  2. Providing and laying structural steel in the RCC Structural component
  3. Reinforcement steel work
-